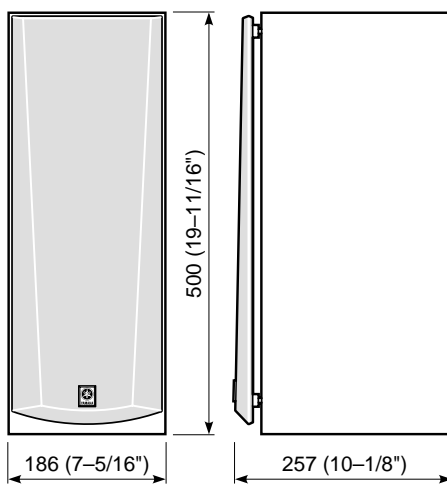


SPEAKER SYSTEM NS-4HX

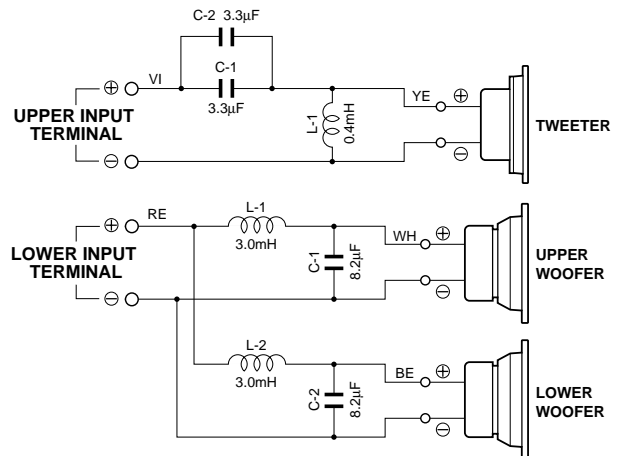
SERVICE MANUAL

■ DIMENSIONS



Unit : mm (inch)

■ NETWORK CIRCUIT DIAGRAM



■ SPECIFICATIONS

Type	2-way 3-speaker bass reflex speaker system
	Magnetic shielding type
Driver	13 cm (5") cone woofer x 2
	Wave guide horn 3 cm (1") dome tweeter
Impedance	6 ohms
Frequency Response	55 Hz to 50 kHz
Nominal Input	100 W
Maximum Input	300 W
Sensitivity	91 dB/2.83 V/m
Crossover Frequency	2.5 kHz
Input Terminal	Screw/banana Bi-wiring type
Dimensions (W X H X D)	186 x 500 x 257 mm
	(7-5/16" x 19-11/16" x 10-1/8")
Weight	11.5 kg (25 lbs. 6 oz)

* Specifications subject to change without notice.



このサービスマニュアルは、エコマーク認定の再生紙を使用しています。
This Service Manual uses recycled paper.



A

B

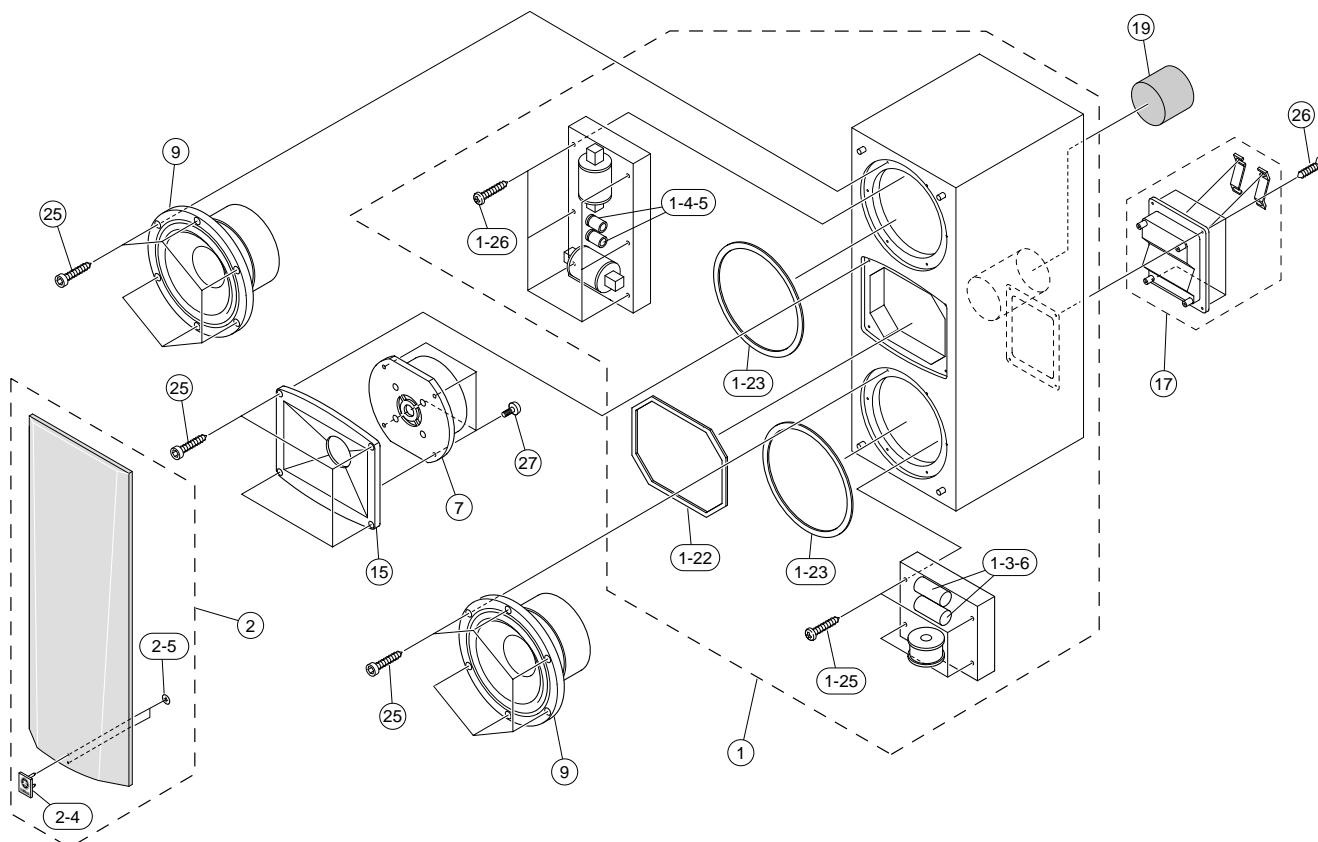
C

D

E

NS-4HX

EXPLODED VIEW



Ref. No.	PART NO.	Description	Remarks	Markets
* 1	V7913100	CABINET ASS'Y		CH
* 1-3-6	V7918500	POLYPROPYLENE FILM CAP	3.3uF 250V	
* 1-4-5	V7979700	ELECTROLYTIC CAP	8.2uF 100V	
* 1-22	V7905700	PACKING		
* 1-23	V7900000	PACKING		
* 1-25	V7978600	BIND HEAD TAPPING SCREW	4x40 MFZN2BL	
1-26	VF573000	BIND HEAD TAPPING SCREW	4x25 MFZN2BL	
* 2	V7913600	FRONT GRILLE ASS'Y		
2-4	V2192200	EMBLEM	YAMAHA	
2-5	VP161000	PUSH NUT	SPN1.5	
* 7	X0310A00	DRIVER, TWEETER	2.5cm 6 50W	JA05V8
* 9	X0307A00	DRIVER, WOOFER	13cm 12 50W	JA1366
* 15	V7707200	ACOUSTIC GUIDE		
* 17	V7902000	SPEAKER TERMINAL	TST-S85J	
* 19	V8455800	SOUND ABSORBER		
* 25	V7907100	HEXAGON SOCKET TAPPING SCREW	4x30 MFN133	
26	V5537900	OVAL HEAD TAPPING SCREW #1	3.5x16 MFZN2BL	
* 27	VA221600	BIND HEAD SCREW	4x10 MFZN2BL	

* New Parts